



Split Core 0.333mV Current Transformers

The SCT & SCL series of retro- t split core 0.333mV Current Transformers are designed for fast and easy installation with no need to disconnect any loads. They are equally suitable for current or power measurement - ideal for energy management or any form of automation and control systems. An internal precision resistor across the secondary winding of the CT provides a safe, low voltage output - no more worries about open-circuiting CT secondary circuits.

SCT:

- SCT 10: 30Amp
- SCT 19: 50A, 150Amp
- SCT 32: 400 Amp
- SCT 51: 800 Amp



SCL:

- SCL 16 - 50 & 100Amp
- SCL 8 - 5 Amp



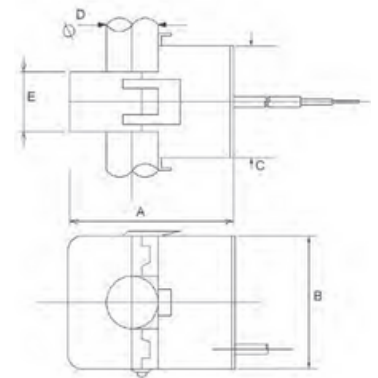
Ragowski Rope Current Transformers:

- The ND Rokowski Rope CTs are the ideal where a
- larger aperture is required. The set of 3 CTs are
- supplied with a 3-5.5dc power supply powered by
- either 110Vac or 230Vac. With a safe low 0.333V
- voltage output, there are no worries about open
- circuiting CT secondary circuits
- Rope 461mm & 610mm:
1000Amp, 1500Amp, 2000Amp, 3000Amp, 3500Amp,

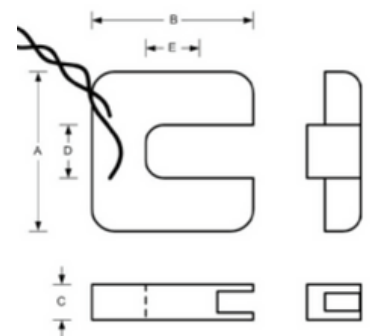


Size ref	Input current (In)	Input current (Imax)	A	B	C	D	E
SCL8	5A	6A	43	37	32	8	13
SCL10	30A	36A	25	42	15	10	10
SCL16	50A	60A	51	45	37	16	18
SCT19	50A	60A	51	53	17	19	19
SCL16	100A	120A	51	45	37	16	18
SCT19	150A	150A	51	53	17	19	19
SCT32	400A	480A	82,5	85	27	32	32
SCT51	800A	960A	121	127	32	51	51

SCL range:



SCT range:



Output at In	0,333V In
Frequency Range	50-60 Hz
Accuracy (0.2In-1.2In)	+/- 1%
Phase Error	< 2° @ 0.5In
Temperature coefficient	60ppm/0°C
Enclosure	Plastic to UL 94V
Insulation Voltage	SCL: 300 Vrms Cat III; SCT: 600V rms
Indoor use only	Altitude < 2000m
Operating temperature	SCL: -25°C to +90 °C ; SCT: -15° to +60°C
Humidity	Max 80% RH @ 30°C ; non-condensing
Output Connection	SCL: 1m Captive Cable ; SCT: 2m Captive twisted pair cable 0.34mmsq. UL 1015

Ragowski coils:

Rope 461 mm: Rope 610 mm:

1000 A	1000 A
1500 A	1500 A
2000 A	2000 A
3000 A	3000 A
3500 A	3500 A

